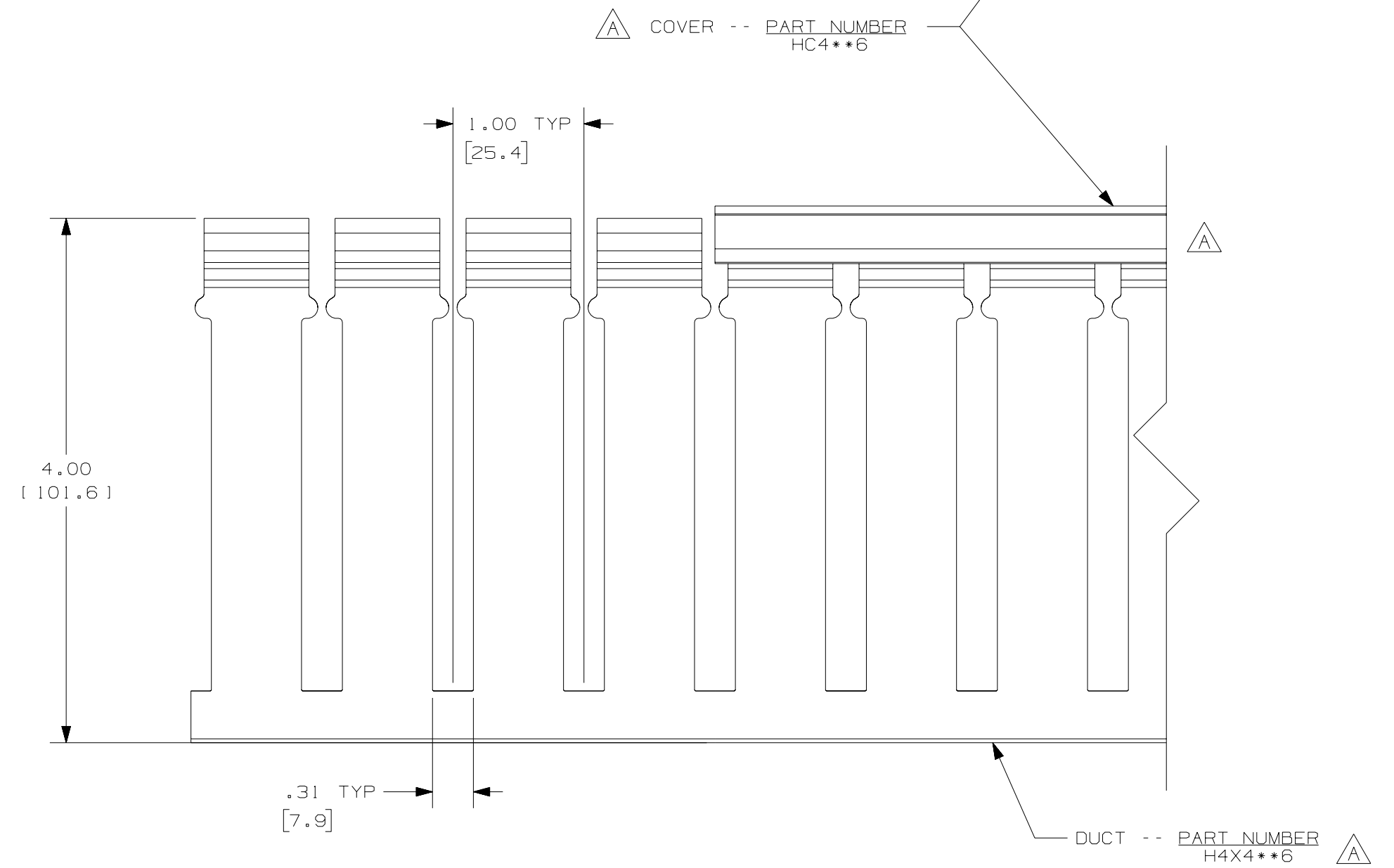
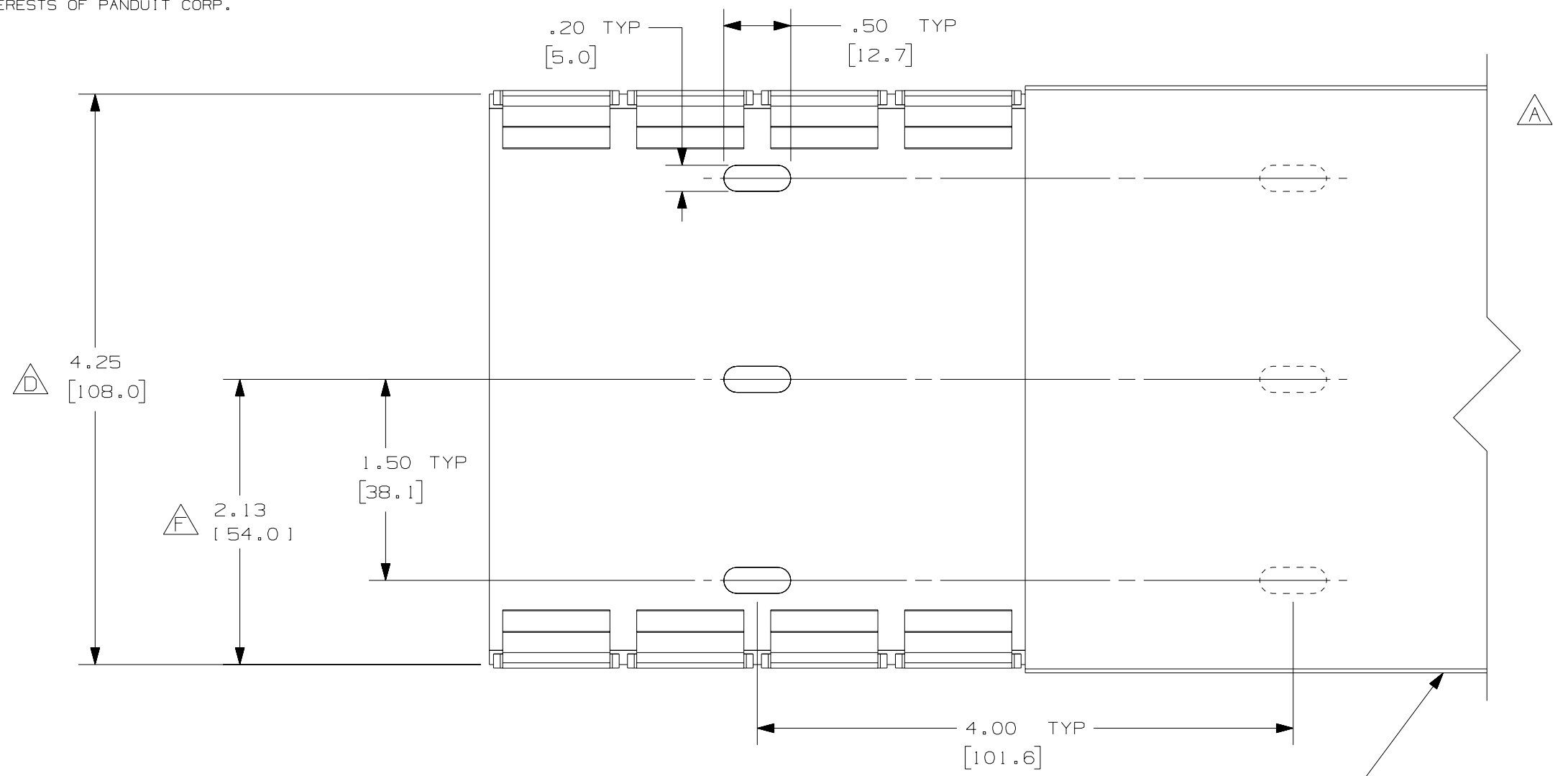
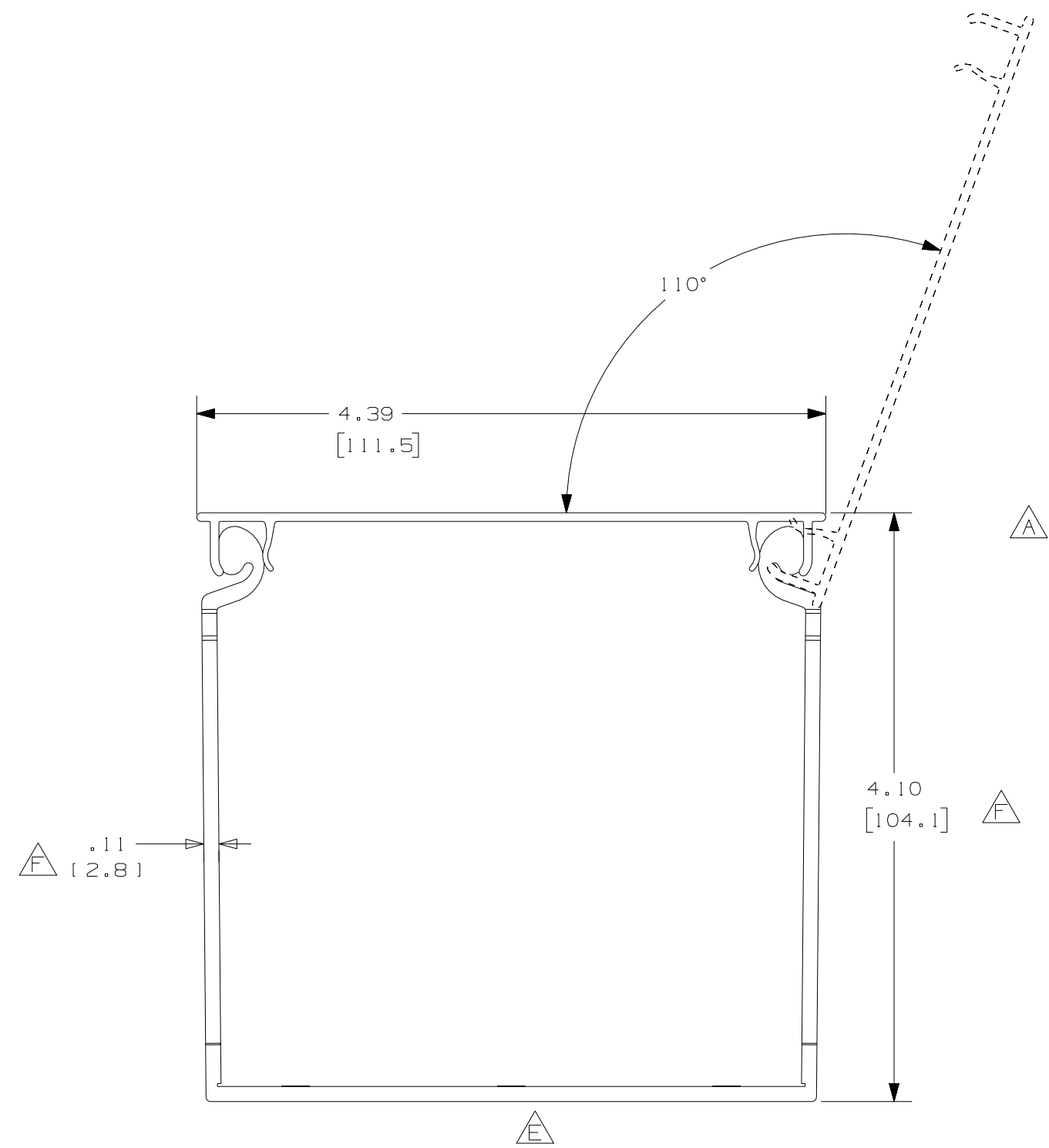


THIS COPY IS PROVIDED ON A RESTRICTED BASIS AND IS NOT TO BE USED IN ANY WAY DETRIMENTAL TO THE INTERESTS OF PANDUIT CORP.



COVER -- PART NUMBER  
HC4\*\*6

DUCT -- PART NUMBER  
H4X4\*\*6



NOTES:

1. ALL DIMENSIONS ARE REFERENCE ONLY.
2. DIMENSIONS IN PARENTHESIS ARE METRIC.
3. THE \*\* DENOTE COLOR.
4. DUCT AND COVER ARE AVAILABLE IN 6 FT [1828.8] LENGTHS.

REV	DATE	BY	CHK	DESCRIPTION
3	8/3/07	JCST	MKBE	G. ADDED LENGTH NOTE F. CORRECTED DIMENSIONS
2	4/8/05	JCST	MKBE	E. DELETED DIMENSION D. ADDED DIMENSION
1	7/1/04	JCST	MKBE	C. MODIFIED DRAWING
R	3/14/03	JCST	JGG	B. CHANGED DRAWING SIZE - (WAS TWO SHEETS) A. CHANGED AND VIEWS, NOTES, AND LABELS
				DRAWING RELEASED

CAD FILENAME/LAYERS		D110000T_DC-01C	
<b>PANDUIT</b> CORP. TINLEY PARK, ILLINOIS			
WIRING DUCT - TYPE H DUCT WITH COVER 4x4 MARKETING DRAWING			
DRWN BY JCST	MAT'L: PVC	SCALE FULL	DWG NO.
DATE 3/14/03	CHECKED BY JGG	36897-722	C SIZE